

# Technical data sheet



## Product features

### Cooking range solid top gas with static gas oven GN 2/1 - 3x burner

<b>Model</b>	<b>SAP Code</b>	00018741
STPT 70/80 21 G	<b>A group of articles - web</b>	Stoves



- Device type: Gas unit
- Ignition: Piezo+večný plamen
- Protection of controls: IPX4
- Material: Stainless steel

<b>SAP Code</b>	00018741	<b>Power gas [kW]</b>	25.400
<b>Net Width [mm]</b>	800	<b>Type of gas</b>	Propane butane, natural gas
<b>Net Depth [mm]</b>	700	<b>Width of internal part [mm]</b>	657
<b>Net Height [mm]</b>	900	<b>Depth of internal part [mm]</b>	558
<b>Net Weight [kg]</b>	140.00	<b>Height of internal part [mm]</b>	308

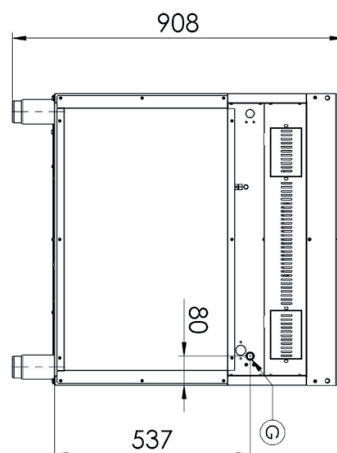
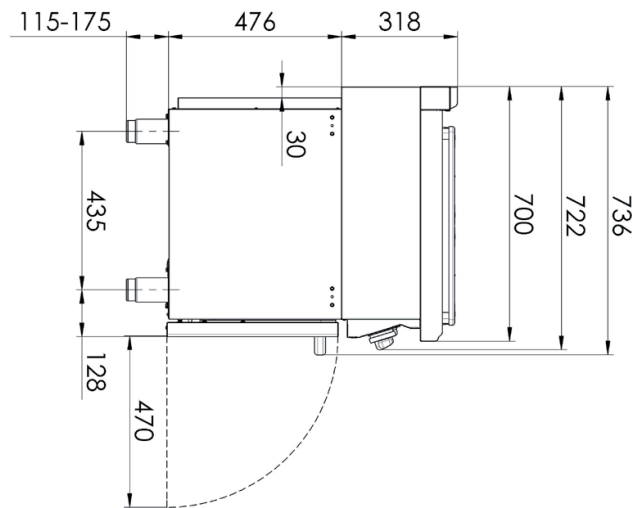
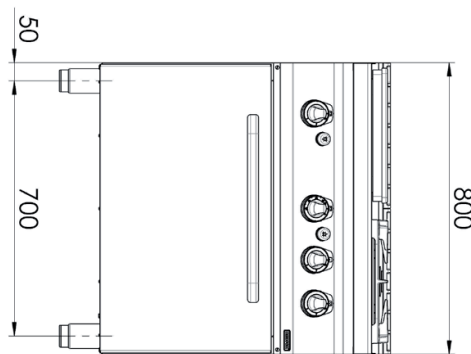
# Technical data sheet



Technical drawing

Cooking range solid top gas with static gas oven GN 2/1 - 3x burner

<b>Model</b>	<b>SAP Code</b>	00018741
STPT 70/80 21 G	<b>A group of articles - web</b>	Stoves



# Technical data sheet



## Technical parameters

### Cooking range solid top gas with static gas oven GN 2/1 - 3x burner

<b>Model</b>	<b>SAP Code</b>	00018741
STPT 70/80 21 G	<b>A group of articles - web</b>	Stoves

**1. SAP Code:**

00018741

**2. Net Width [mm]:**

800

**3. Net Depth [mm]:**

700

**4. Net Height [mm]:**

900

**5. Net Weight [kg]:**

140.00

**6. Gross Width [mm]:**

840

**7. Gross depth [mm]:**

800

**8. Gross Height [mm]:**

975

**9. Gross Weight [kg]:**

140.00

**10. Device type:**

Gas unit

**11. Construction type of device:**

With substructure

**12. Power gas [kW]:**

25.400

**13. Ignition:**

Piezo+večný plamen

**14. Type of gas:**

Propane butane, natural gas

**15. Protection of controls:**

IPX4

**16. Material:**

Stainless steel

**17. Indicators:**

operation and warm-up

**18. Worktop material:**

AISI 304

**19. Worktop Thickness [mm]:**

1.20

**20. Number of power control stages:**

6

**21. Safety thermocouple:**

Yes

**22. Additional information:**

Pozor: Toto zařízení není určeno pro přípravu všech typů pokrmů běžně připravovaných v troubě. Podrobné informace o použití zařízení a jeho omezeních naleznete v návodu k použití.

**23. Number of burners/hot plates:**

3

**24. Type of gas cooking zones:**

Fire protection to install + Classic burners

**25. Burner type:**

Brass, detachable

**26. Oven Type:**

gas static

# Technical data sheet



Technical parameters

## Cooking range solid top gas with static gas oven GN 2/1 - 3x burner

<b>Model</b>	<b>SAP Code</b>	00018741
STPT 70/80 21 G	<b>A group of articles - web</b>	Stoves

**27. Oven size:**

GN 2/1

**31. Height of internal part [mm]:**

308

**28. Oven material:**

Stainless steel

**32. Maximum temperature of the inner chamber [°C]:**

300

**29. Width of internal part [mm]:**

657

**33. Minimum temperature of the inner chamber [°C]:**

50

**30. Depth of internal part [mm]:**

558

**34. Connection to a ball valve:**

1/2